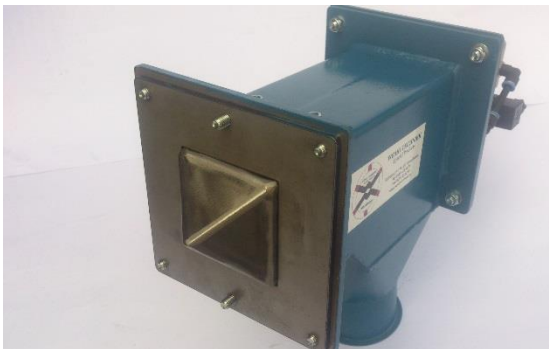
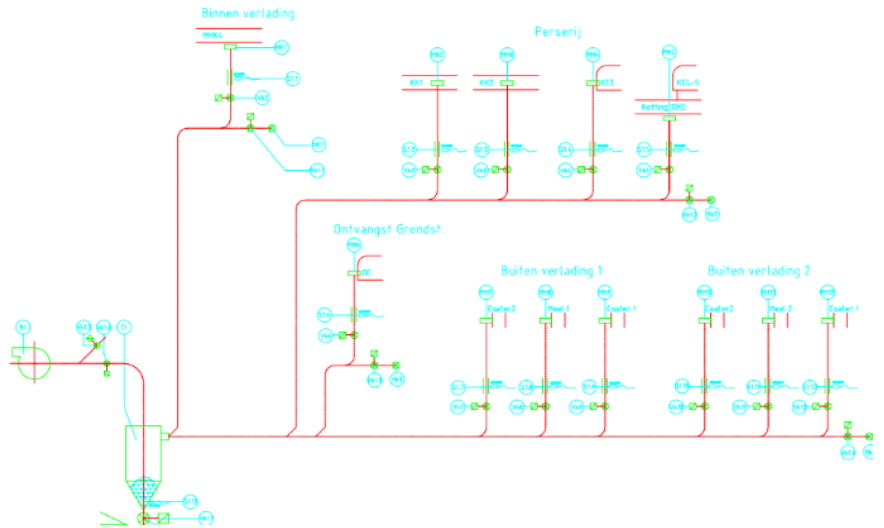
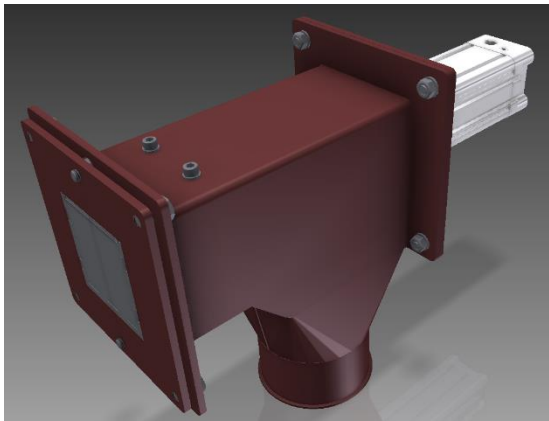
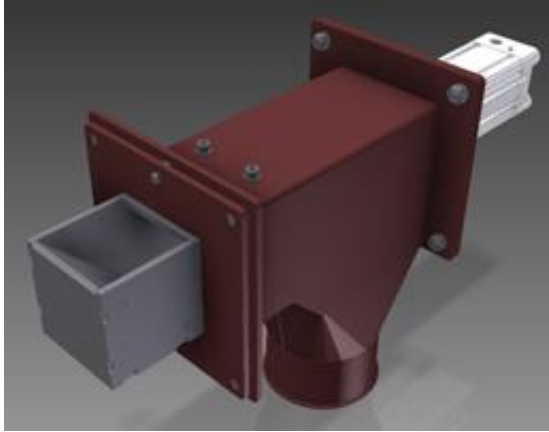


The sample-taking units are specially designed to take a representative sample out of a bulk flow. They can be placed in a hopper filled with product or in a duct where product is falling. With one stroke a fixed quantity of product is taken as sample. This product will be placed outside the bulk flow and is ready to be transported, tested or packed.



## TECHNICAL DATA

Different kind of design	Sample volume 300cc (standard)	Specials: heavy duty, cone, bigger volume	Material Steel or SS
Pneumatic cylinder for movement	Also available for round ducting	Process connection Ø80	Main dimensions: 450x100x300