



WEMO-techniek  
Boylestraat 34  
NL-6718 XM EDE  
+31(0)318 64 11 44

## in-line Kempink tester

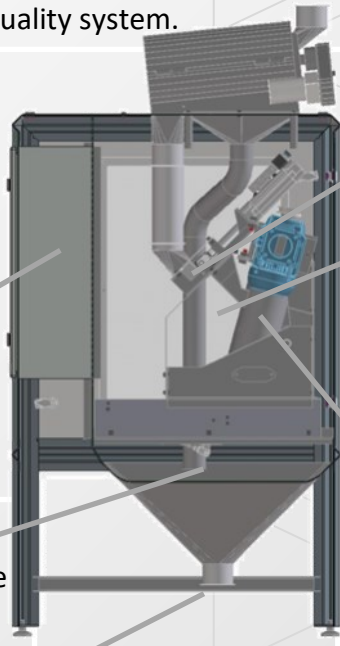
sales@wemo-techniek.nl  
www.wemo-techniek.nl



The WEMO in-line Kempink durability (PDI) tester meets today's automated sampling process requirements. Pre-sieving, proportion, testing and weighing of the fractions, starts as soon as the factory automation has led the sample to the tester. After the test cycle, the PLC communicates the data with corresponding references back to the MES system. Each batch can thus be tested, for an ascertained quality system.

For a reliable, accurate measurement of the durability (PDI), fines from the process are separated in the rotating sieve on top of the tester. Each test thus begins with a clean sample of only pellets.

The control unit of the Kempink tester, programmed identical to the laboratory tester, has been extended for the in-line tester with the weighing card and all elements for the sieve, the beater and the communication with the factory (MES) automation system.

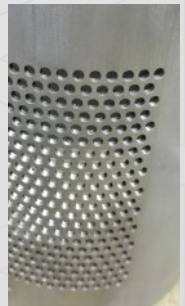


After the sieve, a sample is measured in a compartment for an optimal test volume (approx. 168 cc).

Transparent side panels visualize the process and state of maintenance. The service door gives access for periodic cleaning.

The scale registers fines and pellets separately, so that the PLC can calculate PDI values.

In the test cylinder, the sample is centrifuged, as it were, with the upward airflow of the double fins. The integrated sieve separates fines from the pellets during the test cycle.

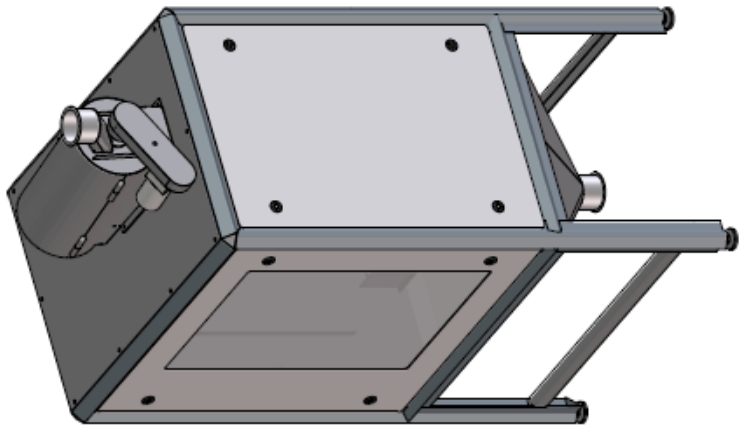


The remaining and tested pellets are discharged downwards. A container can be placed or a pipe mounted that leads to a lower floor.



For remote support, the eWon router can be connected to create a secure VPN connection for updates and service.





Machine specificaties	
Algemeen	
Gewicht	4256 kg
werk temp.	±20°C
Pressurelek	
Luchtdruk	6-8 Bar
Lucht consuming	98 m³
Elektrisch	
Power	250VA/ 50Hz

		WAWEMO Techniek	
WAWEMO Techniek Industrieweg 10 4102 AB De Bilt T: +31 (0)35 120 1200 F: +31 (0)35 120 1201 E: info@wawemo.nl W: www.wawemo.nl		WAWEMO Techniek Industrieweg 10 4102 AB De Bilt T: +31 (0)35 120 1200 F: +31 (0)35 120 1201 E: info@wawemo.nl W: www.wawemo.nl	
WAWEMO Techniek Industrieweg 10 4102 AB De Bilt T: +31 (0)35 120 1200 F: +31 (0)35 120 1201 E: info@wawemo.nl W: www.wawemo.nl		WAWEMO Techniek Industrieweg 10 4102 AB De Bilt T: +31 (0)35 120 1200 F: +31 (0)35 120 1201 E: info@wawemo.nl W: www.wawemo.nl	

